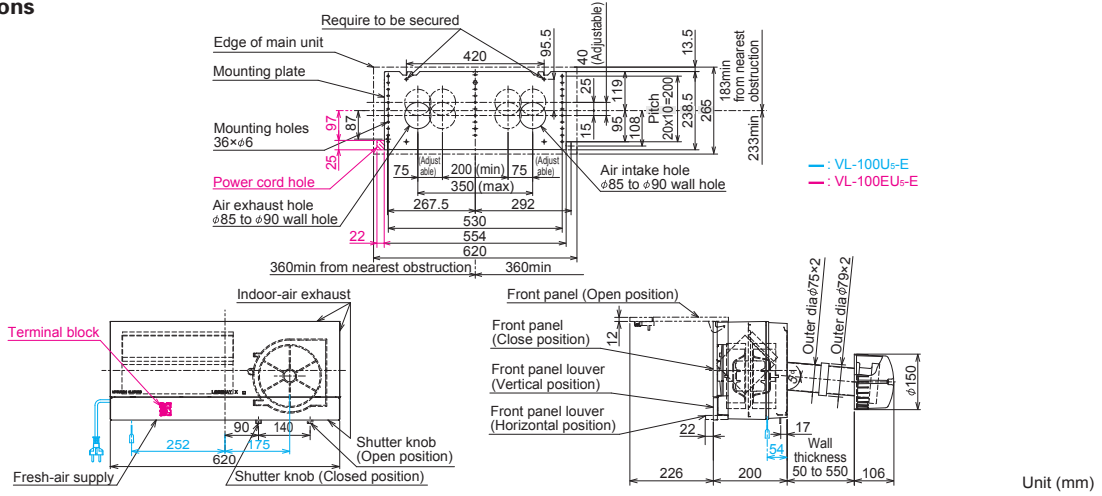


**Model: VL-100U5-E (Pull-Switch Model), VL-100EU5-E (Wall-Switch Model)**

Model	VL-100(E)U5-E							
	220V/50Hz		230V/50Hz		240V/50Hz		220V/60Hz	
Electrical power supply	220V/50Hz		230V/50Hz		240V/50Hz		220V/60Hz	
Fan speed	High	Low	High	Low	High	Low	High	Low
Air volume (m <sup>3</sup> /h)	100	55	105	60	106	61	103	57
Power consumption (W)	30	13	31	15	34	17	34	17
Temperature exchange efficiency (%)	73	80	73	80	72	79	73	80
Noise level (dB)	36.5	24	37	25	38	27	38	25
Weight (kg)	7.5							
Specific energy consumption class	B							

\*Figures in the chart is measured according to Japan Industrial Standard (JIS B 8628) on shutter knob open position.

**Dimensions**

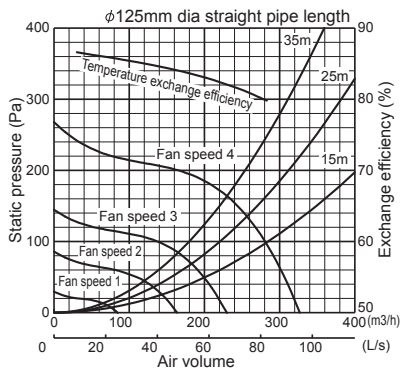


**Model: VL-220CZGV-E**

Model	VL-220CZGV-E				
	220-240V/50Hz 220V/60Hz				
Electrical power supply	220-240V/50Hz 220V/60Hz				
Ventilation mode	Heat recovery mode				
Fan speed	Fan speed 4	Fan speed 3	Fan speed 2	Fan speed 1	
Running current	0.60	0.29	0.18	0.11	
Input power (W)	80	35	18.5	8.5	
Air volume	(m <sup>3</sup> /h)	230	165	120	65
	(L/s)	64	46	33	18
External static pressure (Pa)	164	84	44	13	
Temperature exchange efficiency (%)	82	84	85	86	
Noise level (dB)	31	25	19	14	
Weight (kg)	31				
Specific energy consumption class	A				

\*Figures in the chart is measured according to Japan Industrial Standard (JIS B 8628). Characteristic Curves are measured by chamber method.

**Characteristic Curve**



**Dimensions**

