

## MULTIBAND MULTICLAMPS

FIXING & SEALING

The **MULTIBAND/MULTICLAMPS** are suitable for mounting all types of flexible connections. The combination enables you to making a clamp with the diameters required at the work station. The MULTIBAND/MULTICLAMP is particularly suitable for maintenance purposes.

### CONSTRUCTION

#### MULTIBAND:

Continuous threaded 30 mtr band pressed and raised in ferritic stainless steel AISI 430 - EN1.4016, width 9 mm, thickness 0,6 mm.

#### MULTICLAMP:

Screw: size 7 mm, cross slotted-hexagon head, galvanized steel passivation free of Exavalent Chromium (Cr6+).

Upper and lower housing: low carbon steel galvanized.

Locking mechanism: ferritic stainless steel AISI 430 - EN 1.4016.

### INSTRUCTIONS FOR USE

To obtain the MULTIBAND in the diameter required:

1. Extract the strip from the box and count the intervals between the arrow indicators (see diameter extension table)
2. Cut the strip and bend 2 cm (3/4") in the direction of the arrow
3. Fasten the strip to the traction device and press the bend

The MULTIBAND is ready for installation

Safe working torque : 4 Nm

Running Test : > 4 Nm

Free torque : 0,2 Nm

Also available in full stainless steel **QIPSBAND** and **QIPSLAMP** Austenitic stainless steel AISI 304 - EN 1.4301

### SPECIFICATIONS

Article code:

MULTIBAND                      **QIPBAND**

cartons containing 10 rolls

Diameter range:                variable

Length:                            30m

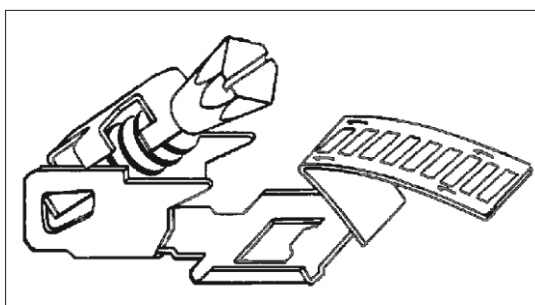
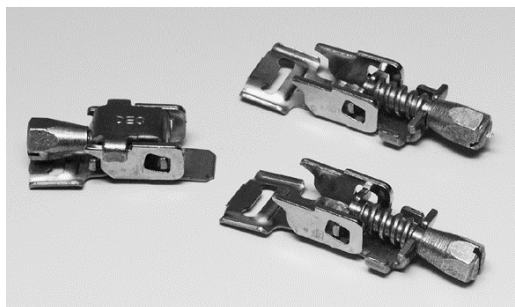
Width                                9mm

The MULTICLAMPS are suitable for fastening on the MULTIBAND.

Article code:

MULTICLAMPS                    **QIPLAMP**

delivered in boxes, containing 20 cartons with 25 pieces each



#### LIABILITY:

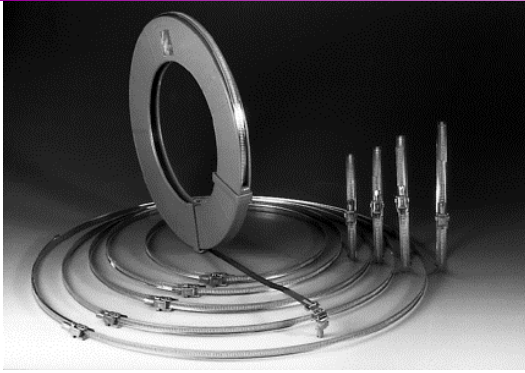
The information contained in this brochure was current on the publication date. DEC INTERNATIONAL reserves the right to make changes in details at any time without prior notice. In order to avoid misunderstandings, any interested party is advised to contact DEC INTERNATIONAL checking for any changes in materials and/or information after this brochure was published.

#### PLEASE NOTICE:

The consultant is responsible for the actual installation and mounting of the product. The mentioned values with respect to temperatures are not appropriate to be used to determine the physical properties. These properties are also dependent on humidity and the temperature of the air inside and outside of the H.V.A.C. system.

#### TRADEMARKS:

DEC International and the DEC logo are trademarks, or registered trademarks of Dutch Environment Corporation BV in the Netherlands and/or other countries.



# MULTIBAND MULTICLAMPS

FIXING & SEALING

Mounting instructions

For fixing the Multiclamp to the Multiband follow the underneath Figures

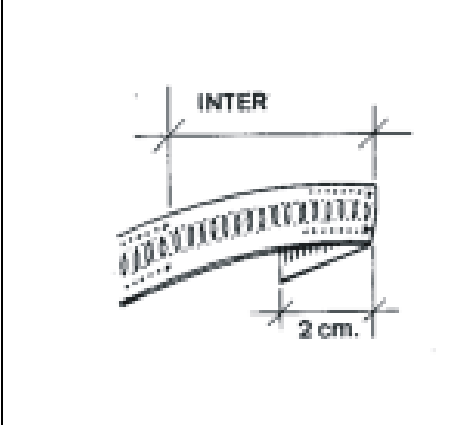
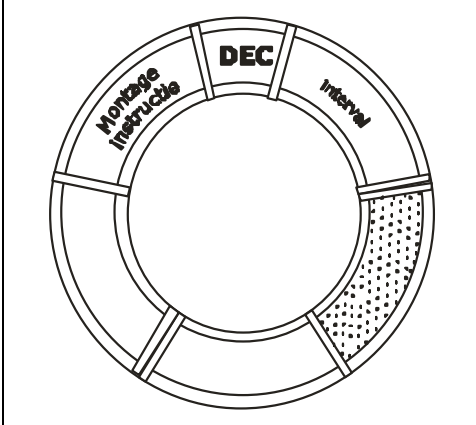


FIG 1

FIG 2

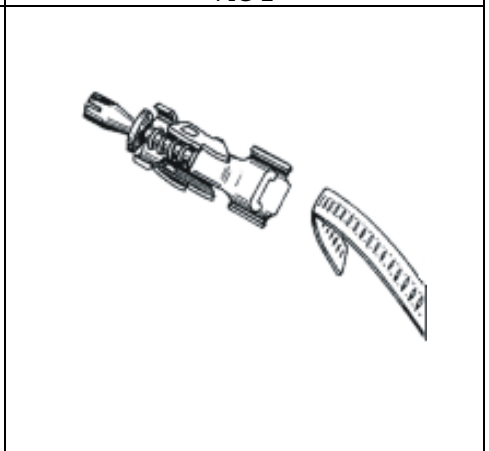


FIG 3

FIG 4

FIG 5

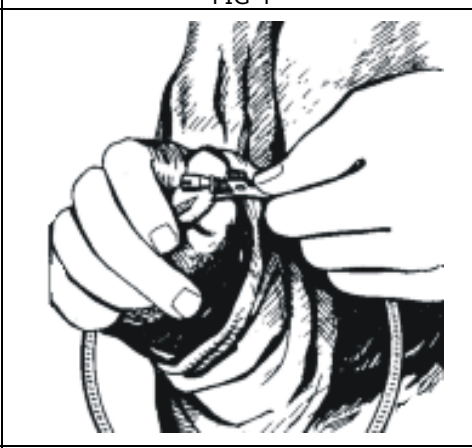
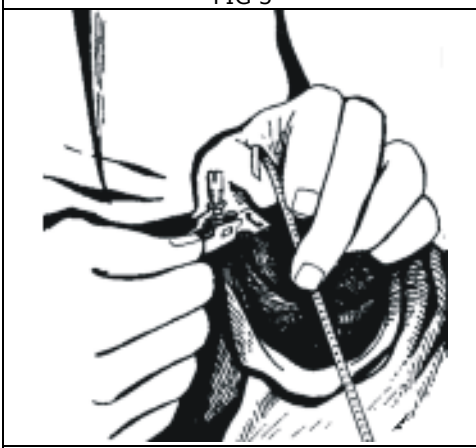


FIG 6

FIG 7

FIG 8

**LIABILITY:**

The information contained in this brochure was current on the publication date. DEC INTERNATIONAL reserves the right to make changes in details at any time without prior notice. In order to avoid misunderstandings, any interested party is advised to contact DEC INTERNATIONAL checking for any changes in materials and/or information after this brochure was published.

**PLEASE NOTICE:**

The consultant is responsible for the actual installation and mounting of the product. The mentioned values with respect to temperatures are not appropriate to be used to determine the physical properties. These properties are also dependent on humidity and the temperature of the air inside and outside of the H.V.A.C. system.

**TRADEMARKS:**

DEC International and the DEC logo are trademarks, or registered trademarks of Dutch Environment Corporation BV in the Netherlands and/or other countries.